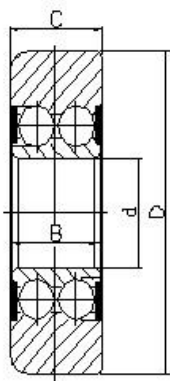


叉车门架滚轮 (MGxxD1-x) 双列满球

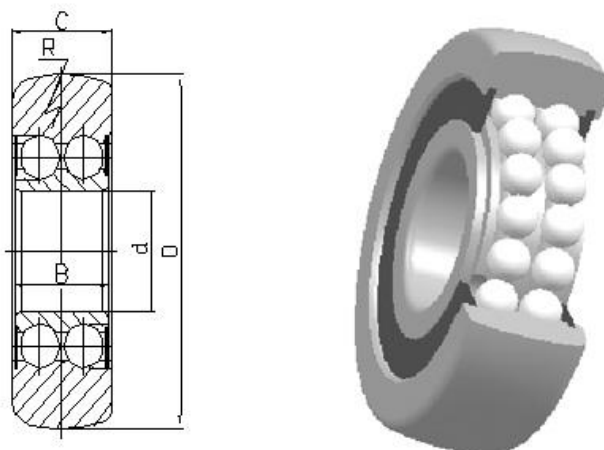
Forklift Mast Roller



轴承型号	尺寸(mm)	额定载荷(KN)		参照型号
	d*D*C/B	Cr	Cor	
MG36D1-1	36*108.8*28/28	41.55	51.36	
MG36D1-2	36*108*28/28	41.55	51.36	
MG36D1-4	36*109.5*28/28	43.83	51.37	
MG40D1-1	40*124*43/30	74.08	59.76	
MG55D1-2	55*163.58*60/49.2	138.26	129.4	MG5311VZZA
MG55D1-4	55*163.58*52.5/49.2	138.26	129.4	MG5311VFFA

叉车门架滚轮 (MGxxD2-x) 双列满球

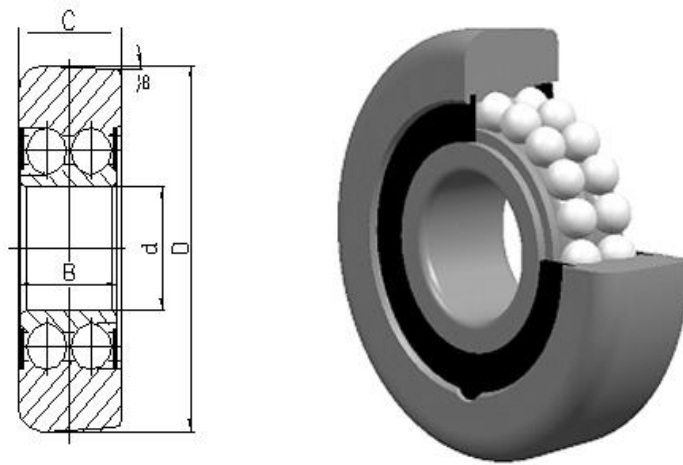
Forklift Mast Roller



轴承型号	尺寸(mm)	额定载荷(KN)		参照型号
	d*D*C/B	Cr	Cor	
MG40D2-1	40*103.5*44.5/30	74.08	59.76	
MG40D2-2	40*103.5*43/30	74.08	59.76	
MG40D2-3	40*126.6*43/30	74.08	59.76	
MG40D2-4	40*103.5*43/30	74.08	59.76	
MG40D2-5	40*126.5*43/30	74.08	59.76	
MG55D2-1	55*159.25*47.8/38.8	122.48	89.06	
MG55D2-2	55*136.8*47.8/38.5	122.48	89.06	
MG55D2-3	55*136.8*47.8/33.3	103.0	78.0	

叉车门架滚轮 (MGxxD3-x) 双列满球

Forklift Mast Roller



轴承型号	尺寸(mm)	额定载荷(KN)		参照型号
	d*D*C/B	Cr	Cor	
MG40D3-1T	40*107/106*40/30.2	74.08	59.76	C40X107
MG40D3-2T	40*103.0/98*44/30.2	74.08	59.76	
MG40D3-3T	40*104.1/101.6*42.5/30.2	74.08	59.76	
MG40D3-4T	40*126.9/122.75*44.5/30.2	74.08	59.76	
MG40D3-5	40*103.5*43/30.2	74.08	59.76	

MG40D3-6	40*127*43/30.2	74.08	59.76	
----------	----------------	-------	-------	--