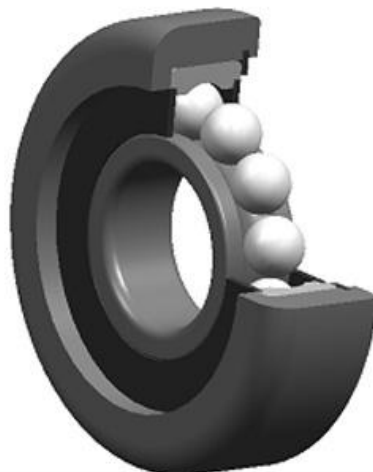
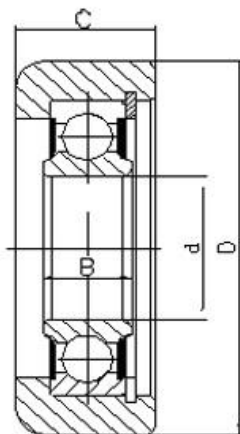


叉车门架滚轮 (MGxxE1-x) 带外壳

Forklift Mast Roller

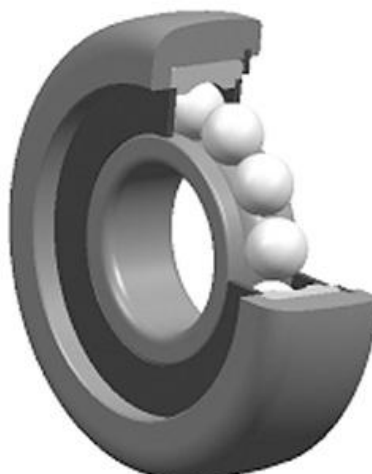
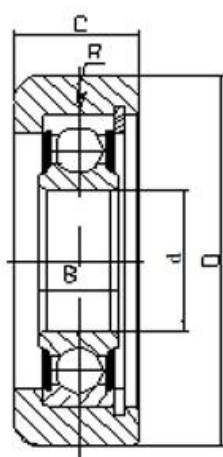


轴承型号	尺寸(mm)	额定载荷(KN)		参照型号
	d*D*C/B	Cr	Cor	
MG25E1-1	25*70.2/55*22*15	14.0	7.87	
MG30E1-1	30*85*31/19	26.7	14.9	
MG35E1-1	35*92*31.2/20	38.74	26.79	
MG35E1-2	35*111.2*30/20	38.74	26.79	
MG35E1-3	35*92*31.5/21	38.74	26.79	
MG35E1-4	35*92.2*31.2/20	38.74	26.79	MG207FFUE
MG35E1-5	35*112.7*30/20	38.74	26.79	
MG35E1-6	35*98.5*28/20	38.74	26.79	

MG35E1-7	35*89.3*30/17	25.6	15.5	
MG35E1-8	35*88.5*30/20	38.74	26.79	
MG40E1-1	40*111.2*32.2/21.5	56.3	39.0	
MG40E1-3	40*95*28.58/21	40.2	30.1	
MG50.8E1-1	50.8*132.7*30/25	50.0	39.0	
MG50.8E1-2	50.8*126.75*33/25	50.0	39.0	
MG50E1-2	50*126.75*30/25	50.0	39.0	
MG55E1-1	55*163.58*52.5/49.2	138.26	129.4	
MG55E1-2	55*163.58*52.5/49.2	138.26	129.4	
MG55E1-3	55*166.5*52.5/49.2	138.26	129.4	
MG55E1-4	55*163*52.5/49.2	138.26	129.4	

叉车门架滚轮 (MGxxE2-x) 带外壳

Forklift Mast Roller



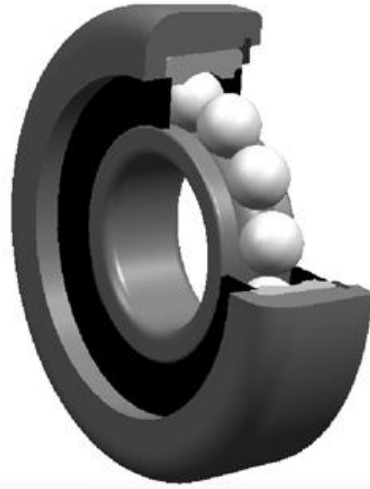
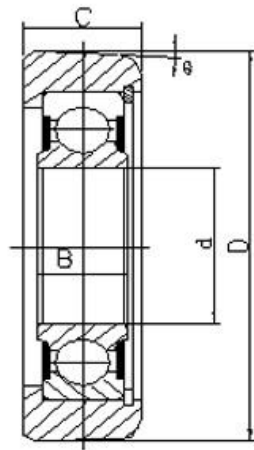
轴承型号	尺寸(mm)	额定载荷(KN)		参照型号
	d*D*C/B	Cr	Cor	
MG30E2-1	30*88.5*29/16.59	23.0	19.05	
MG30E2-2	30*89.0*29/16.59	23.0	19.05	
MG30E2-3	30*86.7*28.6/16.6	23.0	19.05	MG206FFW
MG35E2-1	35*101.35*28.6/21	38.74	26.79	MG207FFU
MG35E2-2	35*101.5*26/20	38.74	26.79	
MG35E2-3	35*92.5*31/21	38.74	26.79	
MG35E2-4	35*82.2*31.2/20	38.74	26.79	
MG35E2-5	35*88.8*30/25	38.74	26.79	
MG40E2-3	40*102.9*43/30	56.5	51.8	MG5208VFFA
MG40E2-4	40*127.4*43/30	56.5	51.8	
MG40E2-5	40*126.5*43/30	56.5	51.8	

MG40E2-6	40*127.4*45/30	56.5	51.8	MG5208VFFPA
MG40E2-7	40*104*43/30	56.5	51.8	
MG40E2-8	40*104.3*41/30	56.5	51.8	MG5208VFFQQ
MG40E2-9M45	40*111.6*32.2/21.5	56.3	39.0	
MG40E2-11	40*126.8*43/30	56.5	51.8	
MG40E2-12	40*105*43/30	56.5	51.8	
MG40E2-13	40*104.2*43/30	56.5	51.8	
MG40E2-15	40*128*43/30	56.5	51.8	
MG40E2-20	40*127.3*43/30	56.5	51.8	
MG50E2-1	50*163.83*43/30.2	69.73	69.55	MG5210VFF
MG55E2-1	55*189.48*45.97/38.5	83.97	84.06	MG5211VFF
MG55E2-2	55*159.2*47.8/38.5	83.97	84.06	MG5211VFFA
MG55E2-3	55*100*50/56			
MG60E2-1	60*202.18*54.1/36.5	104.44	102.79	MG5212VZZA
MG60E2-2	60*189.48*54/36.5	104.44	102.79	MG5212VZZ
MG60E2-3	60*205*54.1/36.5	104.44	102.79	MG5212VZZ B
MG65E2-1	65*188.3*52.3/46.8	122.0	136.0	MG5213VFF
MG65E2-2	65*188*52/47	122.0	136.0	

MG65E2-3	65*188.4*52/47	122.0	136.0	
MG65E2-4	65*188*52/47	122.0	136.0	

叉车门架滚轮 (MGxxE3-x) 带外壳

Forklift Mast Roller

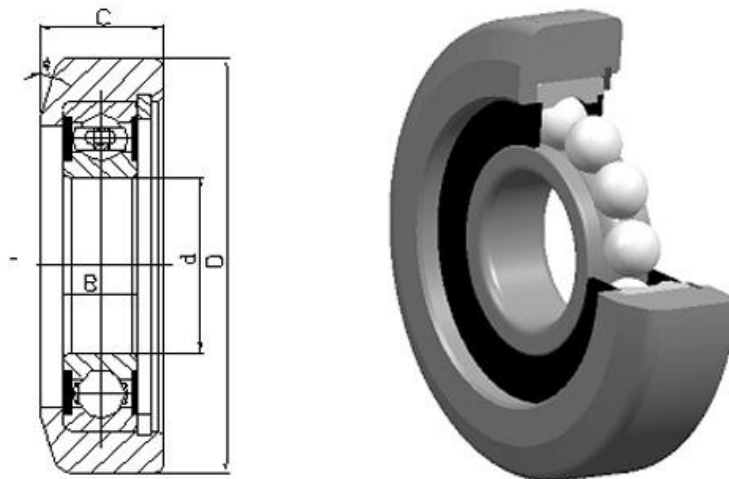


轴承型号	尺寸(mm)	额定载荷(KN)		参照型号
	d*D*C/B	Cr	Cor	
MG28E3-1	28*78.5*24/21	14.97	10.04	
MG30E3-1	30*79.5/77.7*28.58/16.6	14.97	10.04	MG206FFH
MG30E3-2	30*86.38*28.58/16.6	14.97	10.04	MG206FFK
MG30E3-3	30*80.2/78.2*28.58/16.6	14.97	10.04	
MG35E3-1	35*88.6*30/25	38.74	26.97	
MG35E3-2	35*89.2*30/25	38.74	26.97	

MG35E3-3	35*106.5*25/20	38.74	26.97	
MG40E3-1	40*100.84*25.4/19.6	40.2	30.1	MG208FFE
MG40E3-2	40*104.1*42.5/30.2	56.5	51.8	
MG40E3-3	40*103.0*44/30.2	56.5	51.8	
MG40E3-4	40*126.9*44.5/30.2	56.5	51.8	
MG40E3-5	40*101.6*35/30	56.5	51.8	
MG40E3-6	40*126.5*43/30	56.5	51.8	
MG50E3-1	50*140*56.5/54	115.2	70.6	

叉车门架滚轮 (MGxxE6-x) 带外壳

Forklift Mast Roller

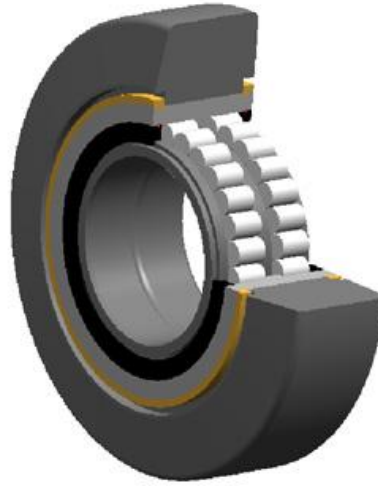
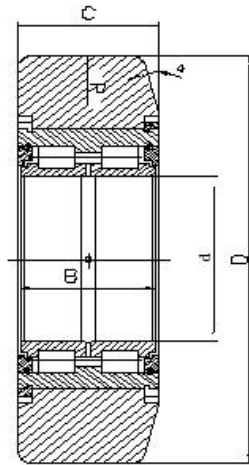


轴承型号	尺寸(mm)	额定载荷(KN)	参照型号
------	--------	----------	------

	d*D*C/B	Cr	Cor	
MG35E6-1	35*107.5*25*21	38.74	26.79	
MG35E6-2	35*90*25*17	25.6	15.5	
MG45E6-1	45*107.2*30.5/19	31.67	20.68	
MG50.8E6-1	50.8*126.22*30.6/24.2	50.0	39.0	
MG50.8E6-2	50.8*126.99*30.6/24.2	50.0	39.0	

叉车门架滚轮 (MGxxE7-x) 带外壳

Forklift Mast Roller

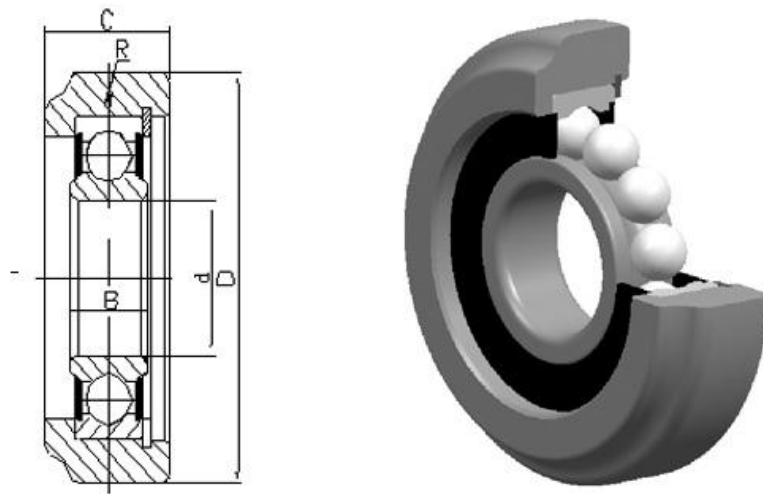


轴承型号	尺寸(mm)	额定载荷(KN)		参照型号
	d*D*C/B	Cr	Cor	
MG100E7-1M45	100*250*68/67	330.0	580.0	

MG100E7-2M45	100*249.3*68/67	330.0	580.0	
MG100E7-3M45	100*250.3*68/67	330.0	580.0	
MG100E7-4M45	100*251*68/67	330.0	580.0	

叉车门架滚轮 (MGxxE9-x) 带外壳

Forklift Mast Roller



轴承型号	尺 寸(mm)	额定载荷(KN)	参照型号
------	---------	----------	------

	d*D*C/B	Cr	Cor	
MG35E9-1	35*91.25*31.9/22.5	38.74	26.79	
MG35E9-2	35*92*31.5/21	38.74	26.79	
MG35E9-3	35*91.2*32/20	38.74	26.79	
MG35E9-4	35*111*30/20	38.74	26.79	
MG35E9-5	35*111*30/20	38.74	26.79	
MG35E9-6	35*91.03*31.88/21	38.74	26.79	
MG35E9-7	35*91*32/17	25.6	15.5	