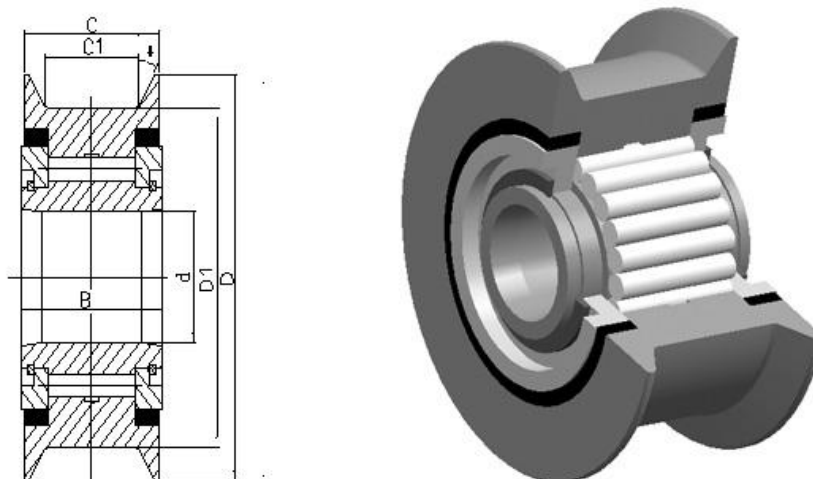


# 叉车门架链轮 (CGxxN1-x) 滚针类

Forklift Chain Pulley



轴承型号	尺寸(mm)	额定载荷(KN)	
	d*D/D1*C/C1*B	Cr	Cor
W1976295	19.063*86/76*38.6/29.5*39.8	79.1	135.5
W196033657	19.05*67.3/60.3*46.35/36.57*47.75	85.2	137.6
W2580325	25*98/80*47/32.5*48.5	97.0	156.5
W25104322	25*122/104*47/32.2*48.5	97.0	156.5
W3590325	35*108/90*47/32.5*48.5	114.0	211.5
W45999	45*114/99*66.5/9*66.5	63.0	69.0
W458035	45*110/80*37/3.5*24	62.0	95.0
W4585	45*100/85*66.5	63.0	69.0

W45100530	45*109.5/100.5*36/30*30	75.0	121.0
-----------	-------------------------	------	-------